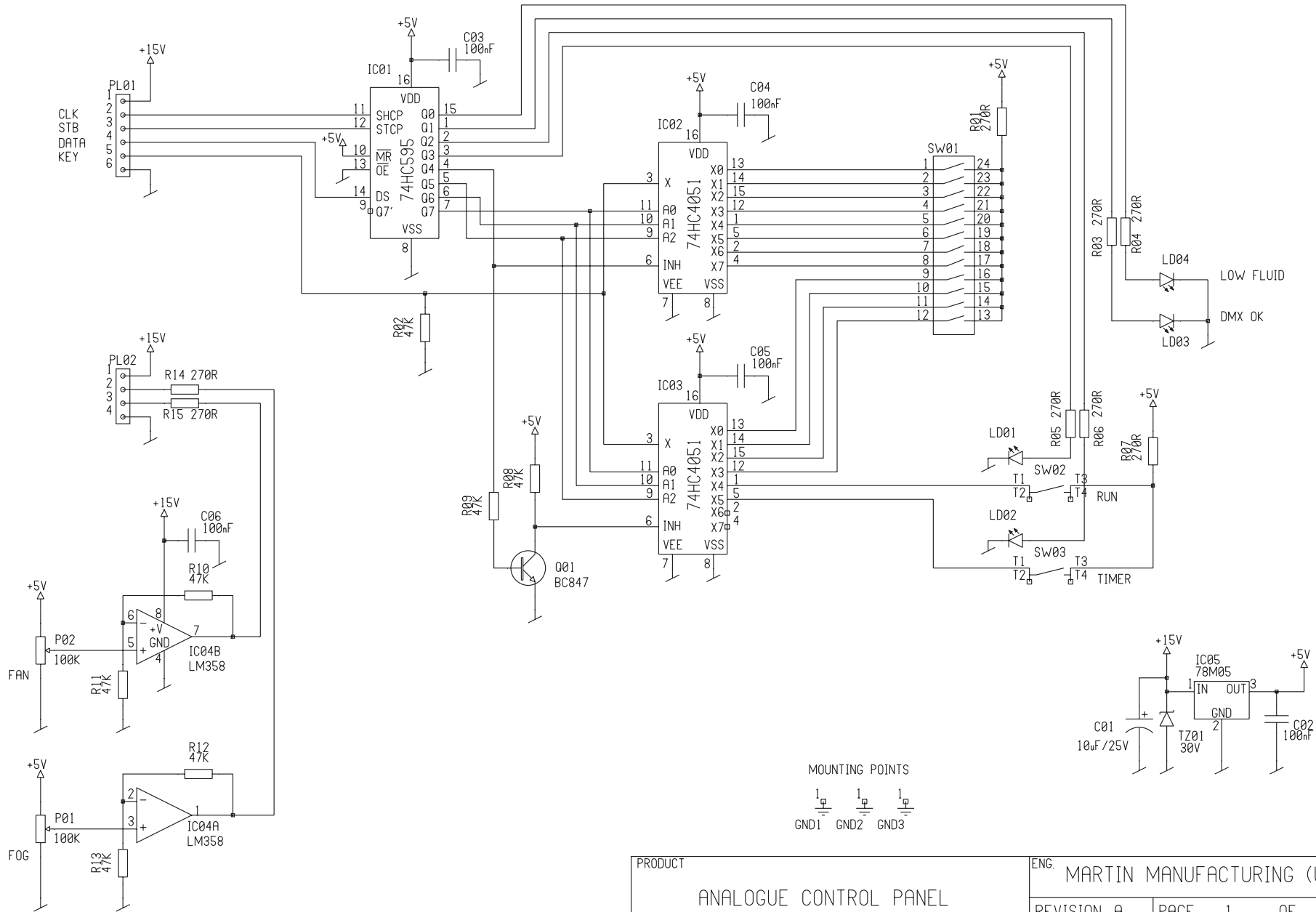


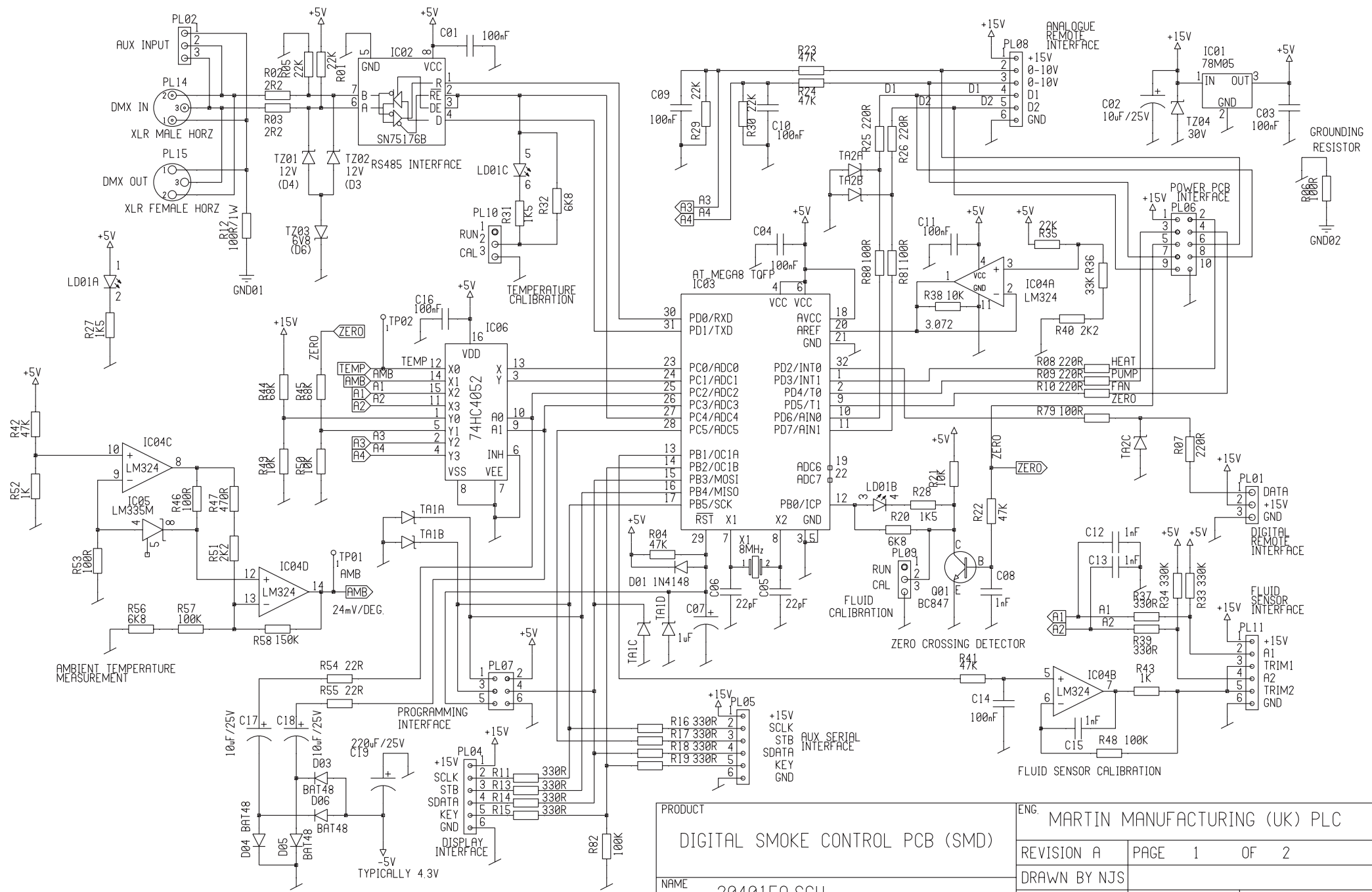
| | | | | | | | |
|---------|--------------|--|--|--------------|-------------------------------|------|--|
| PRODUCT | MAGNUM HAZER | | | ENG. | MARTIN MANUFACTURING (UK) PLC | | |
| NAME | MH_PWR.SCH | | | REVISION A | PAGE 1 | OF 1 | |
| | | | | DRAWN BY NJS | | | |
| | | | | DATE 29/8/2 | TIME 9:57 | | |



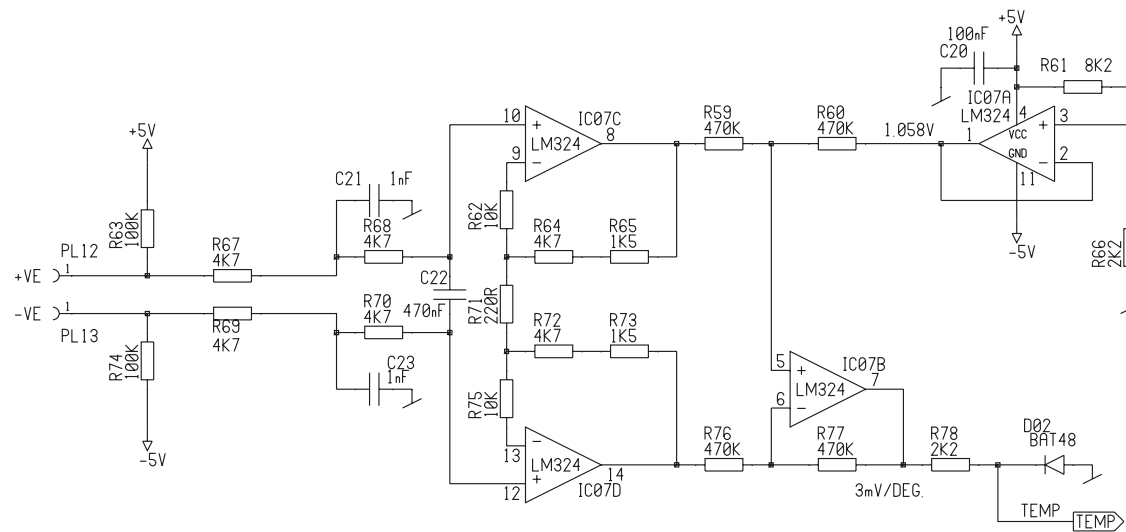
MOUNTING POINTS

 GND1 GND2 GND3

| | | | | | | | |
|---------|------------------------|--|--|--------------|-------------------------------|------|--|
| PRODUCT | ANALOGUE CONTROL PANEL | | | ENG. | MARTIN MANUFACTURING (UK) PLC | | |
| NAME | 202012A.SCH | | | REVISION A | PAGE 1 | OF 1 | |
| | | | | DRAWN BY NJS | | | |
| | | | | DATE23/04/03 | TIME 9:57 | | |



| | | | |
|---------------------------------|--|------------------------------------|-------------|
| PRODUCT | | ENG. MARTIN MANUFACTURING (UK) PLC | |
| DIGITAL SMOKE CONTROL PCB (SMD) | | REVISION A | PAGE 1 OF 2 |
| NAME | | DRAWN BY NJS | |
| 204015A.SCH | | DATE 17/03/03 | TIME 14:40 |



THERMOCOUPLE AMPLIFIER

| | | | |
|---------------------------------|--|------------------------------------|-------------|
| PRODUCT | | ENG. MARTIN MANUFACTURING (UK) PLC | |
| DIGITAL SMOKE CONTROL PCB (SMD) | | REVISION A | PAGE 2 OF 2 |
| NAME | | DRAWN BY NJS | |
| 204015A.SCH | | DATE 17/03/03 | TIME 14:42 |